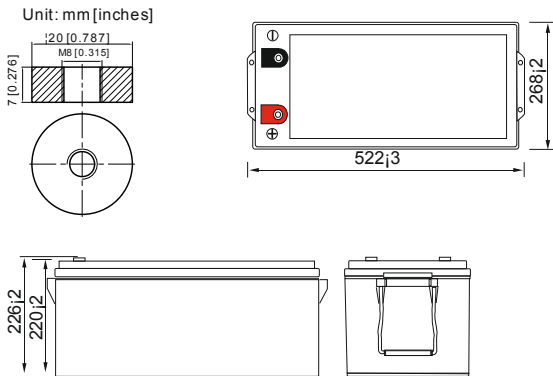


GEL OGiV 122400 L (12V 240Ah GEL Battery)

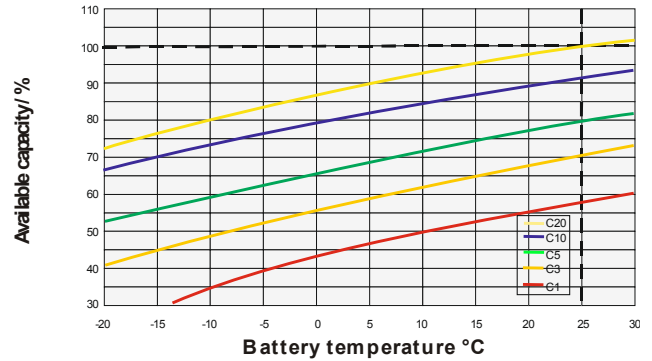
Floating Life at 20°C designed for 12 years

EAN: 4260123683412

Dimensions



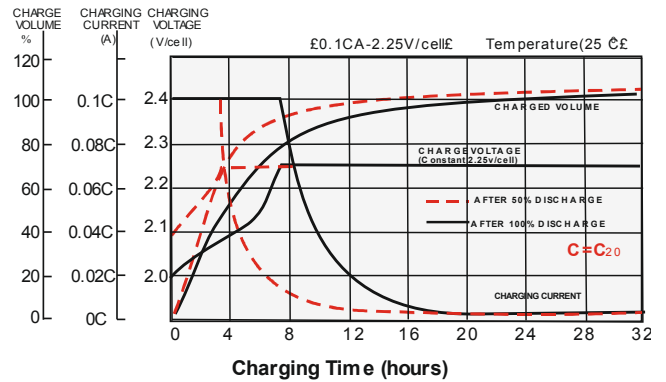
Temperature Effects in Relation to Battery Capacity



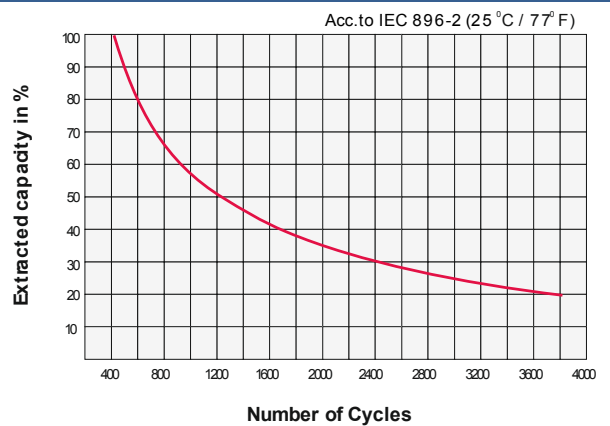
Specifications

Nominal Voltage		12V
Capacity (25°C@1.8V/C)		C20: 240Ah C5: 185Ah
Dimensions	Length	522mm (20.55inch)
	Width	268mm (10.55inch)
	Height	220mm (8.66inch)
	Total Height	226mm (8.90inch)
Approx. Weight		77.7kg (171.3lbs)
Maximum charging current		72.0A
Maximum discharge current		1960A (5sec.)
Internal resistance		Approx. 3.0mΩ
Capacity affected by temperature (20hr)	40°C	103%
	25°C	100%
	0°C	86%
	-15°C	65%
Self-discharge (25°C)	3 month	Remaining Capacity: 91%
	6 month	Remaining Capacity: 82%
	12 month	Remaining Capacity: 65%
Nominal operating temperature		25°C ±3°C (77°F±5°F)
Operating temperature range		-20°C ~ 55°C (-4°F ~ 131°F)
Float charging voltage (25°C)		13.65 to 13.80V
Cyclic charging voltage (25°C)		14.40 to 15.00V
Terminal material		Copper

Float Charging Characteristics



Cycle Life in Relation to Depth of Discharge



Constant Current Discharge Characteristics (Ampere / Cell, 25°C)

F.V/TIME	20min	30min	45min	1h	3h	5h	8h	10h	20h
1.60V/cell	317,5	233,3	171,2	140,2	62,2	41,7	27,9	23,6	12,7
1.70V/cell	281,5	209,8	153,9	127,2	58,0	39,6	27,0	22,8	12,4
1.80V/cell	232,6	178,1	134,1	112,3	52,7	37,0	25,4	21,9	12,0

Constant Power Discharge Characteristics (Watt / Cell, 25°C)

F.V/TIME	20min	30min	45min	1h	3h	5h	8h	10h	20h
1.60V/cell	573,8	428,8	320,1	265,6	119,8	81,0	54,9	46,7	25,2
1.70V/cell	520,2	393,3	292,0	243,8	112,6	77,4	53,4	45,4	24,7
1.80V/cell	439,3	340,0	258,1	217,6	102,9	72,7	50,4	43,6	23,9