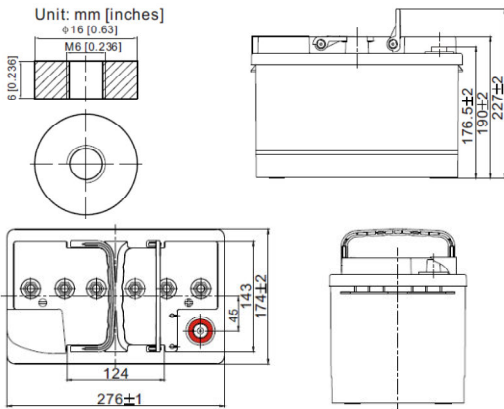


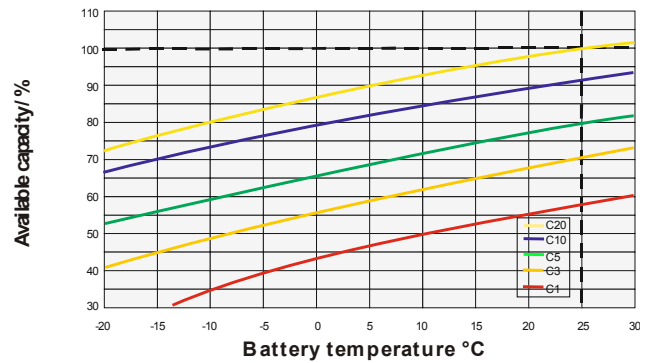
# GEL OGiV 12550 L (12V 55Ah GEL Battery)

Floating Life at 20°C designed for 12 years

## Dimensions



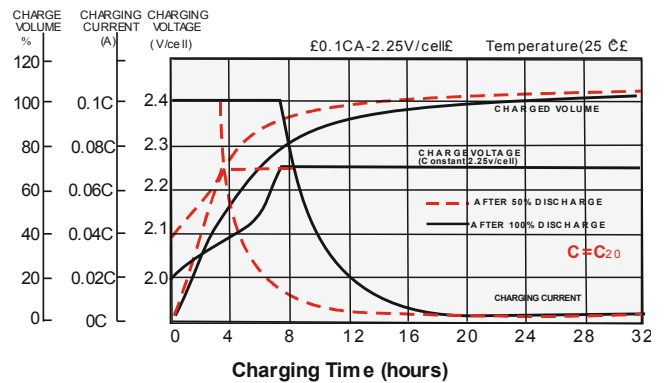
## Temperature Effects in Relation to Battery Capacity



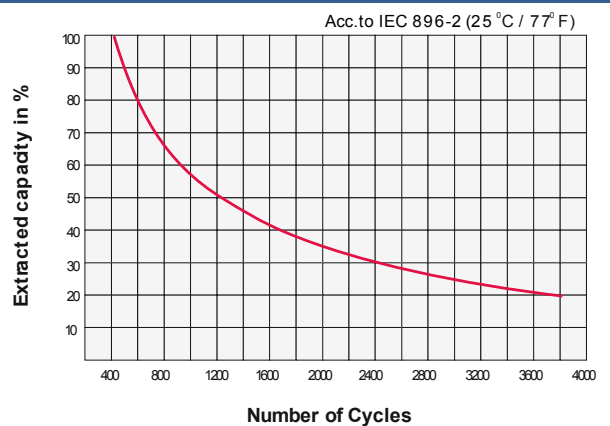
## Specifications

Nominal Voltage		12V
Capacity (25°C@1.8V/C)		C20: 55Ah C5: 42.4Ah
Dimensions	Length	276mm (10.87inch)
	Width	174mm (6.85inch)
	Height	190mm (7.48inch)
	Total Height	190mm (7.48inch)
Approx. Weight		20.4kg (45.0lbs)
Maximum charging current		16.5A
Maximum discharge current		550A (5sec.)
Internal resistance		Approx. 9.0mΩ
Capacity affected by temperature (20hr)	40°C	103%
	25°C	100%
	0°C	86%
	-15°C	65%
Self-discharge (25°C)	3 month	Remaining Capacity: 91%
	6 month	Remaining Capacity: 82%
	12 month	Remaining Capacity: 65%
Nominal operating temperature		25°C ±3°C (77°F±5°F)
Operating temperature range		-20°C ~ 55°C (-4°F ~ 131°F)
Float charging voltage (25°C)		13.65 to 13.80V
Cyclic charging voltage (25°C)		14.40 to 15.00V
Terminal material		Copper

## Float Charging Characteristics



## Cycle Life in Relation to Depth of Discharge



## Constant Current Discharge Characteristics (Ampere / Cell, 25°C)

F.V/TIME	20min	30min	45min	1h	3h	5h	8h	10h	20h
1.60V/cell	72,8	53,4	39,2	32,1	14,3	9,53	6,40	5,40	2,91
1.70V/cell	64,5	48,0	35,3	29,2	13,3	9,08	6,19	5,23	2,84
1.80V/cell	53,3	40,8	30,7	25,8	12,1	8,47	5,82	5,01	2,75

## Constant Power Discharge Characteristics (Watt / Cell, 25°C)

F.V/TIME	20min	30min	45min	1h	3h	5h	8h	10h	20h
1.60V/cell	131,5	98,3	73,3	60,9	27,5	18,6	12,6	10,7	5,78
1.70V/cell	119,3	90,1	66,9	55,8	25,9	17,8	12,2	10,4	5,65
1.80V/cell	100,7	77,9	59,1	49,9	23,6	16,7	11,6	9,99	5,48