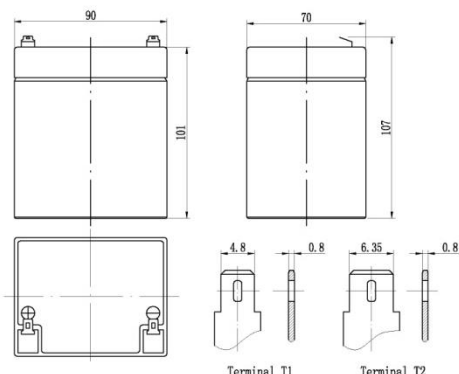


RPower OGiV 1252 L (12V 5.2Ah Battery)

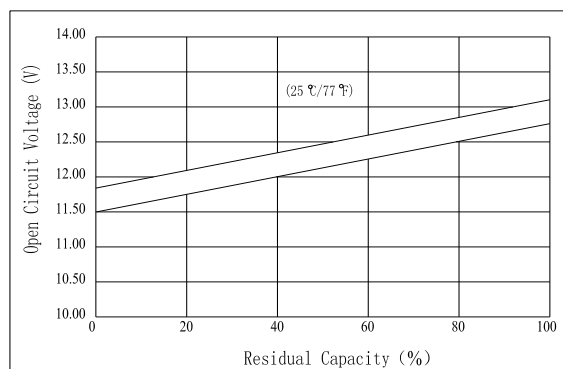
Floating Life at 20°C designed for 10 years

EAN: 4260123689506

Dimensions



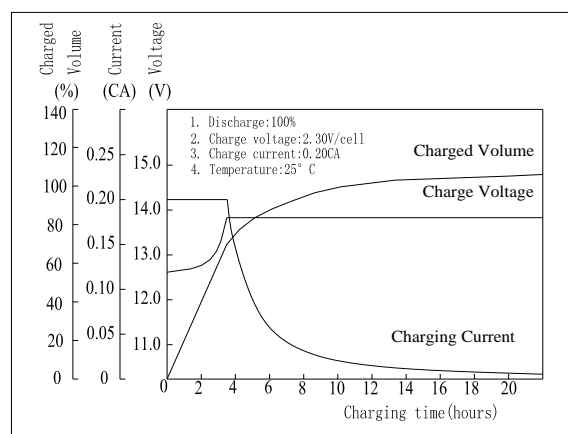
The Relationship for Open Circuit Voltage and Residual Capacity (25°C)



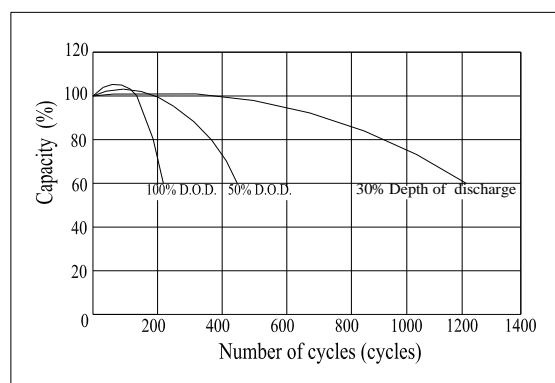
Specifications

Nominal Voltage		12V
Capacity (20hr@25°C@1.8V/C)		5.2Ah
Dimensions	Length	90mm (3.54inch)
	Width	70mm (2.76inch)
	Height	101mm (3.98inch)
	Total Height	107mm (4.21inch)
Approx. Weight		1.85kg (4.07lbs)
Maximum charging current		1.56A
Maximum discharge current		90A (5sec.)
Internal resistance (Fully charged, 25°C)		Approx. 25mΩ
Capacity affected by temperature (20hr)	40°C	102%
	25°C	100%
	0°C	85%
	-15°C	65%
Self-discharge (25°C)	3 month	Remaining Capacity: 91%
	6 month	Remaining Capacity: 82%
	12 month	Remaining Capacity: 65%
Nominal operating temperature		25°C ±3°C (77°F±5°F)
Operating temperature range		-15°C ~ 50°C (5°F ~ 122°F)
Float charging voltage (25°C)		13.65 to 13.80V
Cyclic charging voltage (25°C)		14.50 to 14.90V
Terminal material		Copper

Charging Characteristics (25°C)



Cycle Life (25°C)



Constant Current Discharge Characteristics (Ampere / Cell, 25°C)

F.V/TIME	10min	15min	30min	1h	3h	5h	8h	10h	20h
1.60V/Cell	13,35	9,86	5,87	3,20	1,44	0,94	0,62	0,51	0,27
1.70V/Cell	11,39	8,67	5,27	3,10	1,33	0,89	0,60	0,50	0,26
1.80V/Cell	9,52	7,46	4,87	2,87	1,28	0,84	0,58	0,47	0,26

Constant Power Discharge Characteristics (Watt / Cell, 25°C)

F.V/TIME	10min	15min	30min	1h	3h	5h	8h	10h	20h
1.60V/Cell	22,70	17,34	10,71	6,02	2,75	1,82	1,21	1,01	0,53
1.70V/Cell	20,06	15,64	9,78	5,90	2,58	1,73	1,18	0,98	0,52
1.80V/Cell	17,43	13,77	9,18	5,51	2,47	1,65	1,15	0,94	0,50