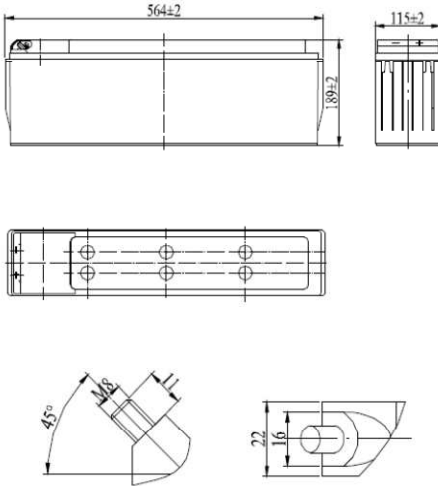


# OGiV 12800 FT (12V 80Ah Front Terminal)

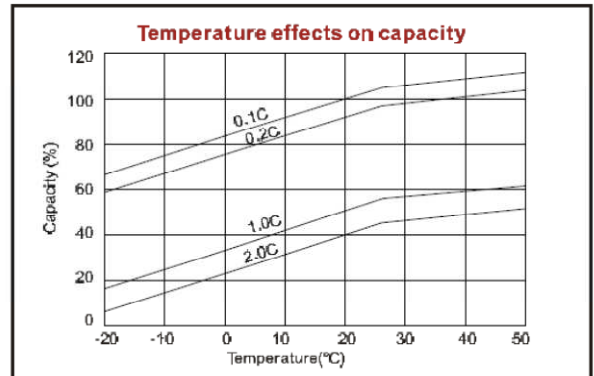
Floating Life at 20°C designed for 10 years

EAN: 4260123689520

## Dimensions



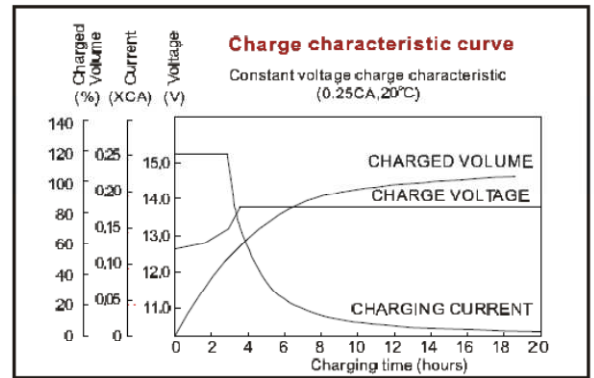
## Temperature Effects in Relation to Battery Capacity



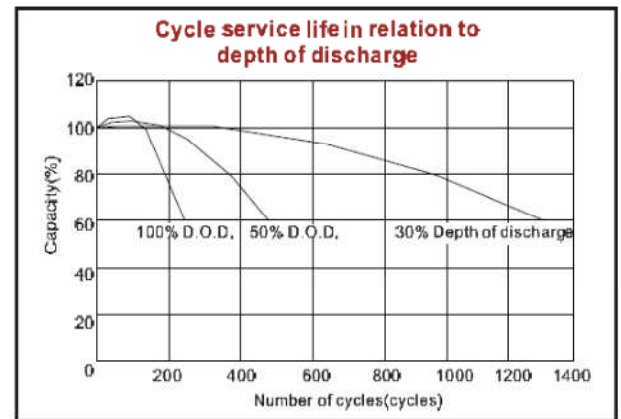
## Specifications

Nominal Voltage	12V	
Capacity (10hr@25°C@1.8V/C)	80Ah	
Dimensions	Length	564mm (22.2inch)
	Width	115mm (4.53inch)
	Height	189mm (7.44inch)
	Total Height	189mm (7.44inch)
Approx. Weight	28.2kg (62.2lbs)	
Maximum charging current	24A	
Maximum discharge current	800A (5sec.)	
Internal resistance	Approx. 7mΩ	
Capacity affected by temperature (20hr)	40°C	103%
	25°C	100%
	0°C	86%
	-15°C	65%
Self-discharge (25°C)	3 month	Remaining Capacity: 91%
	6 month	Remaining Capacity: 82%
	12 month	Remaining Capacity: 65%
Nominal operating temperature	25°C ±3°C (77°F±5°F)	
Operating temperature range	-20°C ~ 55°C (-4°F ~ 131°F)	
Float charging voltage (25°C)	13.65 to 13.80V	
Cyclic charging voltage (25°C)	14.40 to 15.00V	
Terminal material	Copper	

## Float Charging Characteristics



## Cycle Life in Relation to Depth of Discharge



## Constant Current Discharge Characteristics (Ampere / Cell, 25°C)

F.V/TIME	10min	15min	30min	45min	1h	3h	5h	10h
1.60V/cell	174	141	92,1	70,4	56,3	23,2	14,8	8,07
1.70V/cell	149	123	85,2	66,3	54,0	22,6	14,6	8,04
1.80V/cell	122	105	78,1	62,1	51,8	21,8	14,4	8,00

## Constant Power Discharge Characteristics (Watt / Cell, 25°C)

F.V/TIME	10min	15min	30min	45min	1h	3h	5h	10h
1.60V/cell	304	255	178	137	110	62,2	45,6	29,6
1.70V/cell	269	230	164	128	104	60,7	44,6	29,2
1.80V/cell	235	203	150	119	98,8	59,3	43,3	28,7